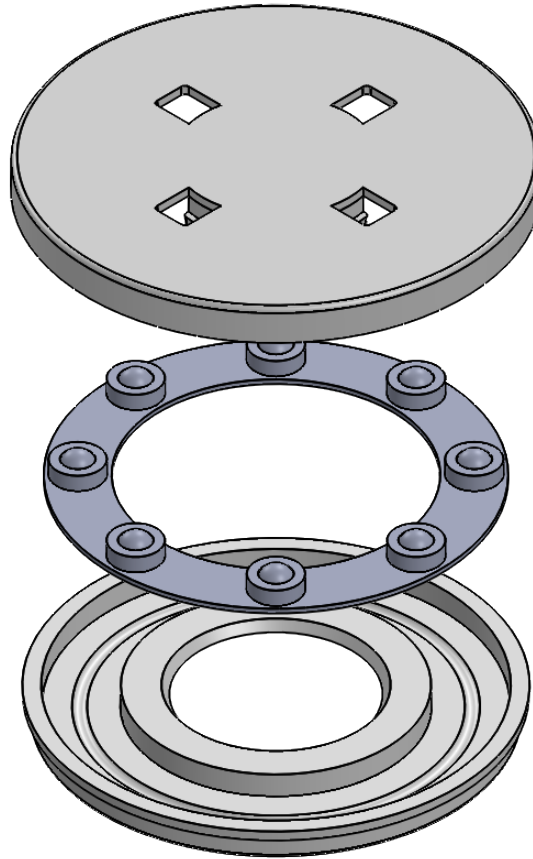


Key	material	XXmm	notes
	CNC cutting		
	laser cutting		
	rebate, countersunk, mitred		
	diamond polishing		
	flame polishing/buffer		
	bending		
	help		

50.00 info

Client		Project				Drawing Ref							
-		140mm Spinner				140mm Spinner							
Drawn by	NV	Scale	1:2	Thickness	-	Colour	-	Weight	94g	Tolerances	THIRD ANGLE PROJECTION	Drawing No.	REV
Date	29/11/2023	Units	Millimeters	Material	HIPS/GPPS	Spec	-	Quantity	1	Unless specified - wood +0.50mm / Plastic +0.20mm / Heat Bent Parts +0.50mm / Metal +0.25mm / Foam +1.00mm		2	1
COPYRIGHT © SOLSTAR ENTERPRISES LTD. REPRODUCTION OF THIS DRAWING OR ANY PART THEREOF, OR CONVEYING TO THIRD PARTY, IS EXPRESSLY FORBIDDEN WITHOUT THE WRITTEN PERMISSION.											IF IN DOUBT ASK!		

solstar
 creative retail manufacturing
 Units 20-27 Longbridge
 Kingsway, Bristol, GL1 3EP
 Bristol, Gloucestershire, GL1 3EP
 +44 01630 280 640 solstar.co.uk



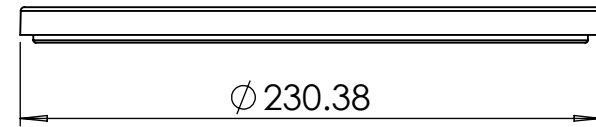
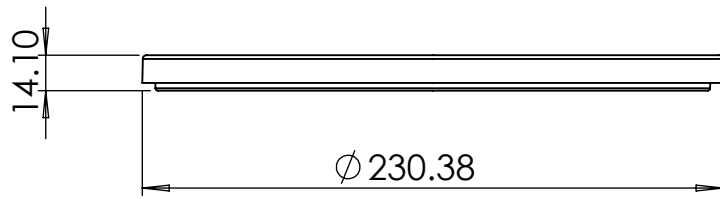
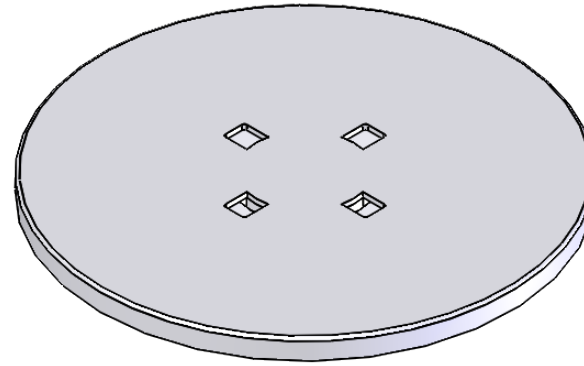
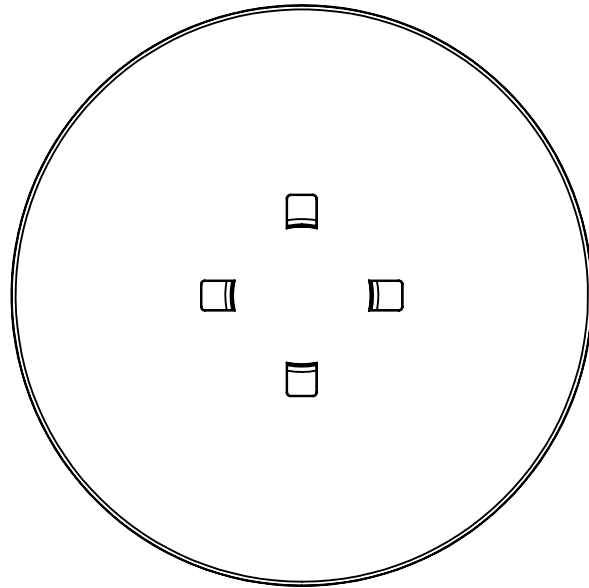
Key	material Xxmm, notes
	CNC cutting
	laser cutting
	rebate, countersunk, mitred
	diamond polishing
	flame polishing/buffer
	bending
	help

50.00 [info](#)

Client		Project		Drawing Ref		140mm Spinner	
Drawn by	NV	Scale	1:2	Thickness	-	Weight	94g
Date	29/11/2023	Units	Millimeters	Material	HIPS/GPPS	Spec	-
COPYRIGHT © SOLSTAR ENTERPRISES LTD. REPRODUCTION OF THIS DRAWING OR ANY PART THEREOF, OR CONVEYING TO THIRD PARTY, IS EXPRESSLY FORBIDDEN WITHOUT THE WRITTEN PERMISSION.						IF IN DOUBT ASK!	

Tolerances	THIRD ANGLE PROJECTION	Drawing No.	REV
Unless specified - wood +0.50mm / Plastic +0.20mm / Heat Bent Parts +0.50mm / Metal +0.25mm / Foam +1.00mm		2	1

solstar
 creative retail manufacturing
 Units 20-27 Longbridge
 Keyway, Forest Hill Estate
 Dorking, Leitherside, LE20 6FB
 +44 01630 280 643 66 67 68 69

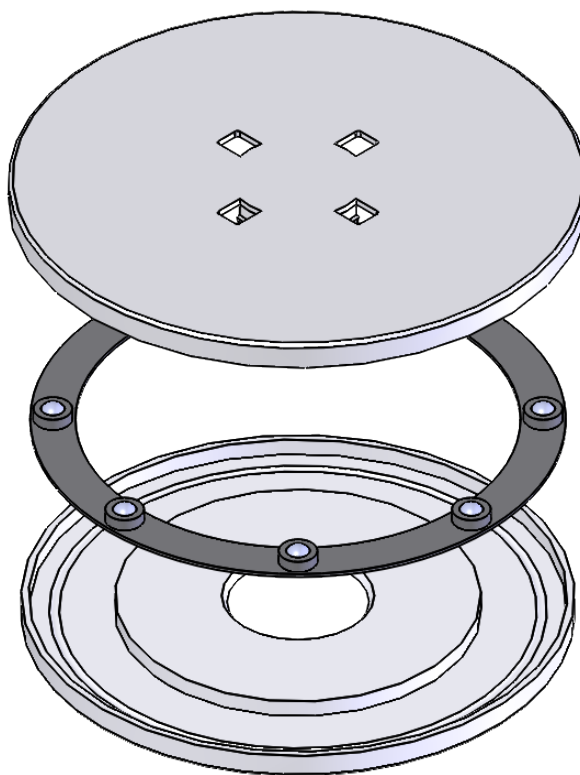


Key	material Xxmm, notes
	CNC cutting
	laser cutting
	rebate, countersunk, mitred
	diamond polishing
	flame polishing/buffer
	bending
	help

50.00 info

Client		Project		Drawing Ref		230mm Spinner	
Drawn by	NV	Scale	1:3	Thickness	-	Colour	-
Date	29/11/2023	Units	Millimeters	Material	HIPS/GPPS	Spec	-
				Weight	242g	Tolerances	Unless specified - wood +0.50mm / Plastic +0.20mm / Heat Bent Parts +0.50mm / Metal +0.25mm / Foam +1.00mm
THIRD ANGLE PROJECTION						Drawing No.	2
						REV	1
COPYRIGHT © SOLSTAR ENTERPRISES LTD. REPRODUCTION OF THIS DRAWING OR ANY PART THEREOF, OR CONVEYING TO THIRD PARTY, IS EXPRESSLY FORBIDDEN WITHOUT THE WRITTEN PERMISSION.							IF IN DOUBT ASK!

solstar
 creative retail manufacturing
 Units 20-27 Langde
 Keyline Industrial Estate
 Duffell, Leicestershire LE12 6FB
 +44 01630 280 643 www.solstar.co.uk

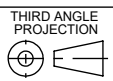


Key	material Xxmm, notes
	CNC cutting
	laser cutting
	rebate, countersunk, mitred
	diamond polishing
	flame polishing/buffer
	bending
	help

50.00 info

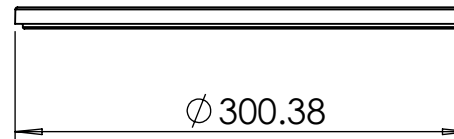
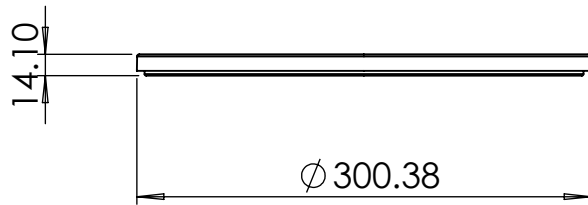
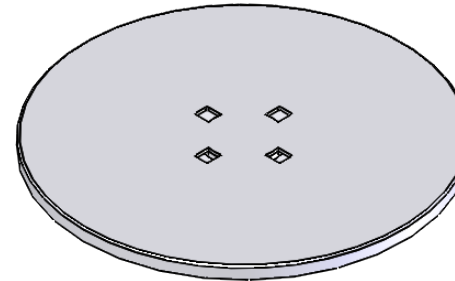
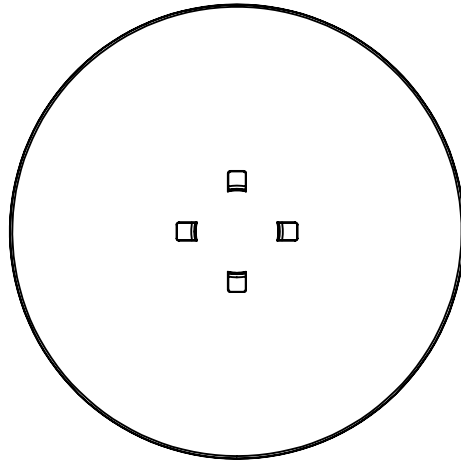
Client		Project		Drawing Ref		230mm Spinner	
Drawn by	NV	Scale	1:3	Thickness	-	Weight	242g
Date	29/11/2023	Units	Millimeters	Material	HIPS/GPPS	Spec	-
COPYRIGHT © SOLSTAR ENTERPRISES LTD. REPRODUCTION OF THIS DRAWING OR ANY PART THEREOF, OR CONVEYING TO THIRD PARTY, IS EXPRESSLY FORBIDDEN WITHOUT THE WRITTEN PERMISSION.						IF IN DOUBT ASK!	

Tolerances
 Unless specified - wood +0.50mm / Plastic +0.20mm
 / Heat Bent Parts +0.50mm / Metal +0.25mm / Foam
 +1.00mm



Drawing No.	REV
2	1

solstar
 creative retail manufacturing
 Units 20-27 Longbridge
 Kingsway, Birmingham B1 1 1AA
 United Kingdom
 +44 (0)1630 280 843

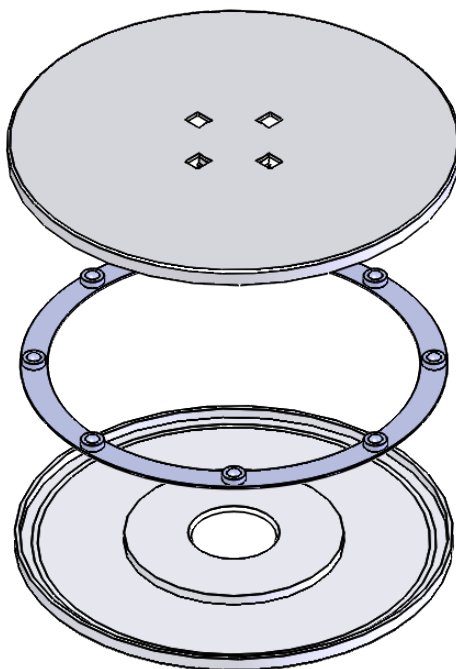


Key	material	XXmm	notes
	CNC cutting		
	laser cutting		
	rebate, countersunk, mitred		
	diamond polishing		
	flame polishing/buffer		
	bending		
	help		

50.00 info

Client		Project				Drawing Ref							
-						300mm Spinner							
Drawn by	NV	Scale	1:5	Thickness	-	Colour	-	Weight	408g	Tolerances	THIRD ANGLE PROJECTION	Drawing No.	REV
Date	29/11/2023	Units	Millimeters	Material	HIPS/GPPS	Spec	-	Quantity	1	Unless specified - wood +0.50mm / Plastic +0.20mm / Heat Bent Parts +0.50mm / Metal +0.25mm / Foam +1.00mm		2	1
COPYRIGHT © SOLSTAR ENTERPRISES LTD. REPRODUCTION OF THIS DRAWING OR ANY PART THEREOF, OR CONVEYING TO THIRD PARTY, IS EXPRESSLY FORBIDDEN WITHOUT THE WRITTEN PERMISSION.											IF IN DOUBT ASK!		

solstar
 creative retail manufacturing
 Units 20-27 Lane de
 Keston, London E15 8PB
 Dorell, Leicestershire LE12 6PB
 +44 01630 280 643 solstar.co.uk



Key	material	XXmm	notes
	CNC cutting		
	laser cutting		
	rebate, countersunk, mitred		
	diamond polishing		
	flame polishing/buffer		
	bending		
	help		

50.00 info

Client		Project				Drawing Ref							
-						300mm Spinner							
Drawn by	NV	Scale	1:5	Thickness	-	Colour	-	Weight	408g	Tolerances	THIRD ANGLE PROJECTION	Drawing No.	REV
Date	29/11/2023	Units	Millimeters	Material	HIPS/GPPS	Spec	-	Quantity	1	Unless specified - wood +0.50mm / Plastic +0.20mm / Heat Bent Parts +0.50mm / Metal +0.25mm / Foam +1.00mm		2	1
COPYRIGHT © SOLSTAR ENTERPRISES LTD. REPRODUCTION OF THIS DRAWING OR ANY PART THEREOF, OR CONVEYING TO THIRD PARTY, IS EXPRESSLY FORBIDDEN WITHOUT THE WRITTEN PERMISSION.											IF IN DOUBT ASK!		

solstar
 creative retail manufacturing
 Units 20-27 Longbridge
 Kingsway, Bristol, GL1 3EP
 Bristol, Gloucestershire, GL1 3EP
 +44 (0)1630 280 643